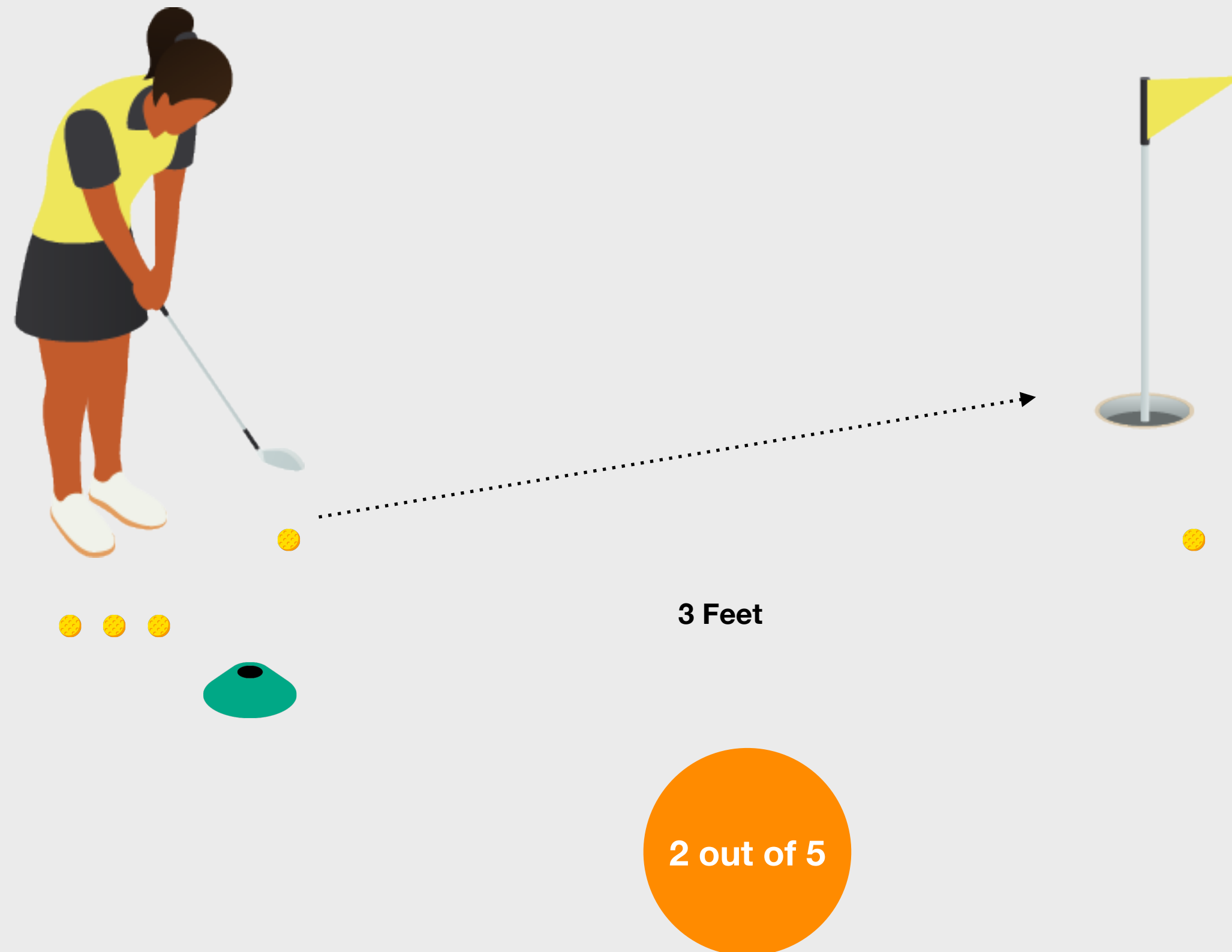


On the Green Challenges



Short Putts Challenge



The Challenge

To complete the Level 1 Challenge the learner needs to putt 2/ 5 balls in the hole from 3 feet on a flat green surface from one position around the hole.

Equipment you Need

The equipment you will need for this challenge:

- Cones to mark the starting position
- Golf Balls

What should the Learner do next?

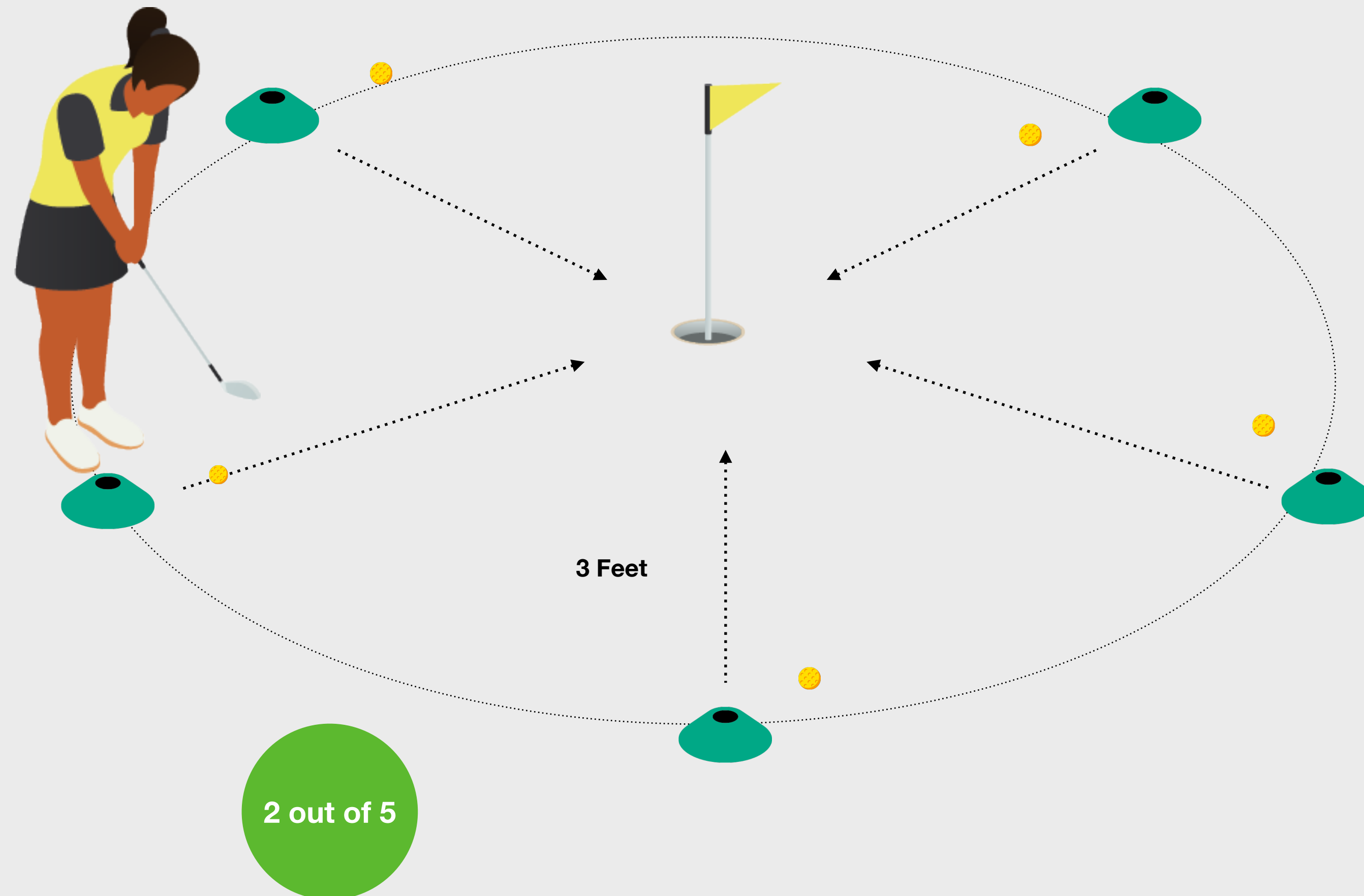
After attempting the challenge, the learner should:

- Log in to the GLF. Connect App
- If they complete the challenge, mark it as complete in the Challenge Section

Short Putts



Short Putts Challenge



The Challenge

To complete the Level 2 Challenge the learner needs to hole 2 out of 5 putts from a distance of 3 feet from 5 different positions around the hole.

Equipment you Need

The equipment you will need for this challenge:

- Colored cones to mark the five starting positions
- Golf Balls

What should the Learner do next?

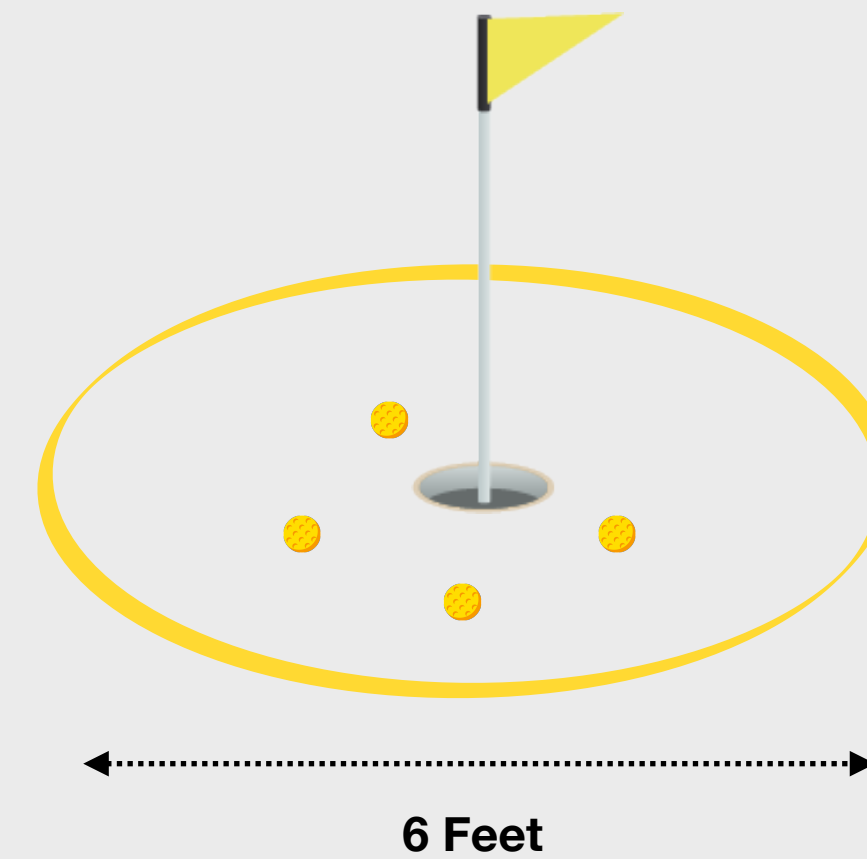
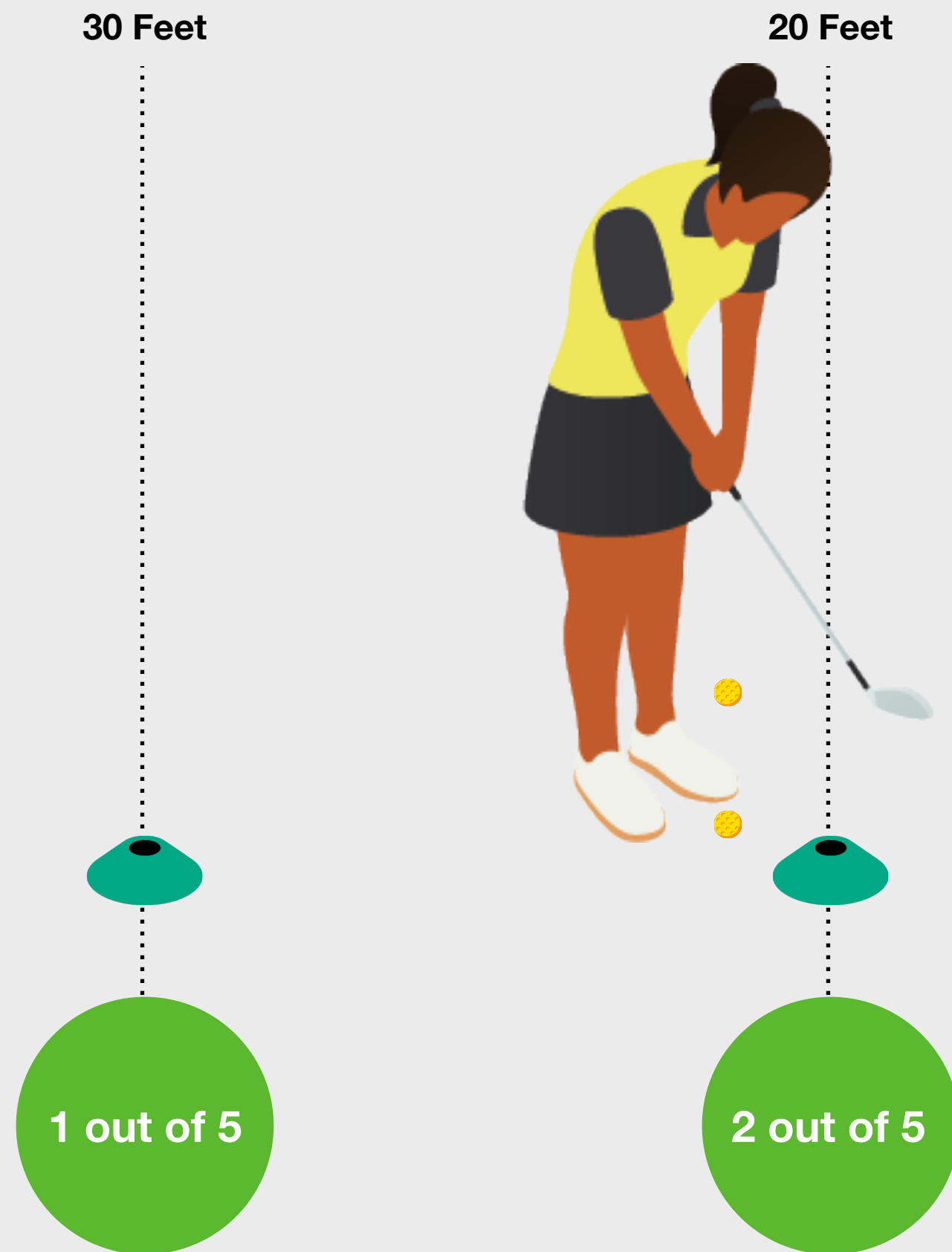
After attempting the challenge, the learner should:

- Log in to the GLF. Connect App
- If they complete the challenge, mark it as complete in the Challenge Section

Short Putts



Long Putts Challenge



The Challenge

To complete the Level 2 Challenge the learner needs to putt 2 out of 5 putts from 20 feet and 1 out of 5 from 30 feet inside a 6-foot diameter target circle from one side of the hole.

Equipment you Need

The equipment you will need for this challenge:

- Colored cones to mark the two starting positions
- 6-foot target circle from your equipment bag
- Golf Balls

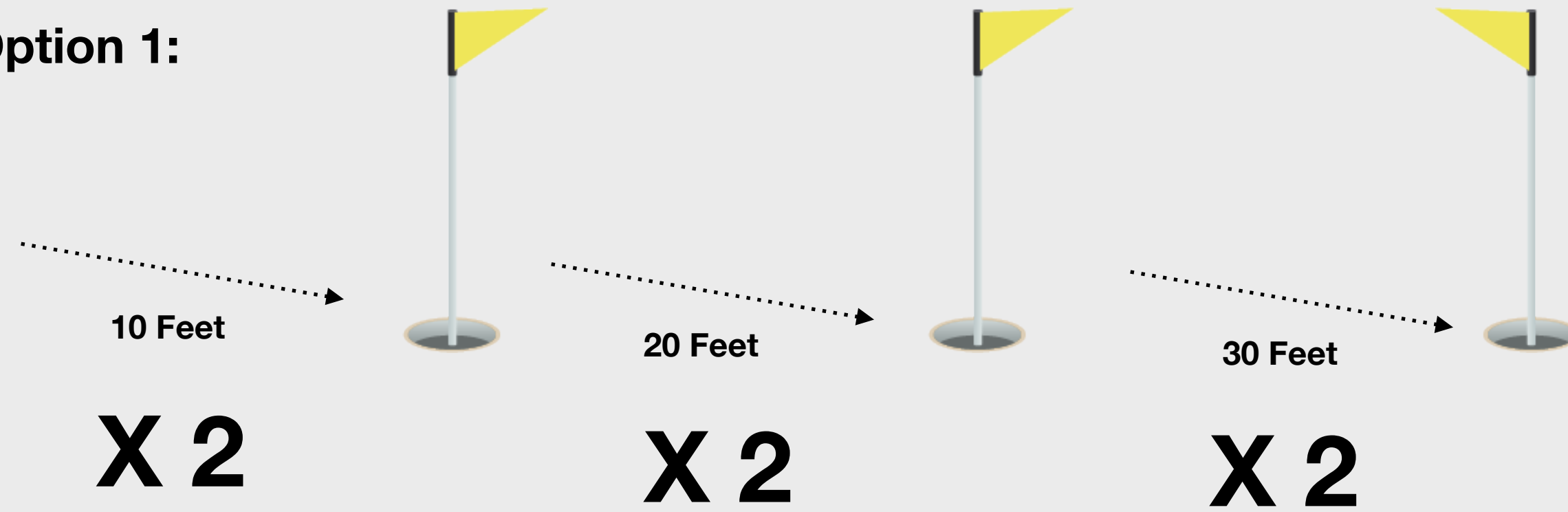
What should the Learner do next?

After attempting the challenge, the learner should:

- Log in to the GLF. Connect App
- If they complete the challenge, mark it as complete in the Challenge Section
-

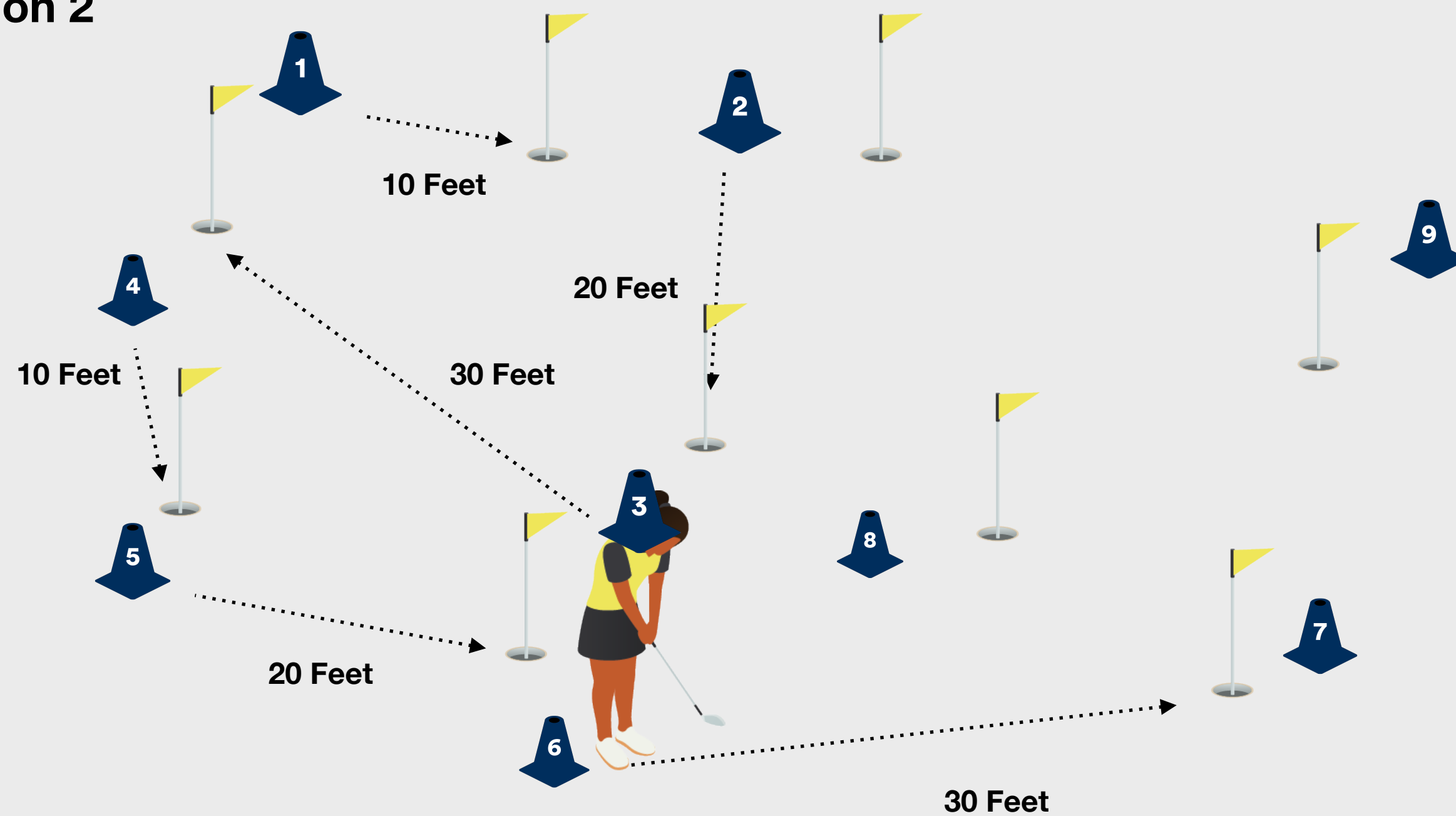
Scoring Challenge

Option 1:



21 putts or fewer

Option 2



The Challenge

To complete the Level 2 Challenge the learner needs score 21 putts or less over 6 holes. 2 putts should be attempted from a starting position 10 feet, 2 putts from 20 feet and 2 putts from 30 feet from the hole.

Equipment you Need

- The equipment you will need for this challenge:
- Numbered cones from your equipment bag to mark the starting positions.
 - Golf Balls
 - Scorecard and pencil

What should the Learner do next?

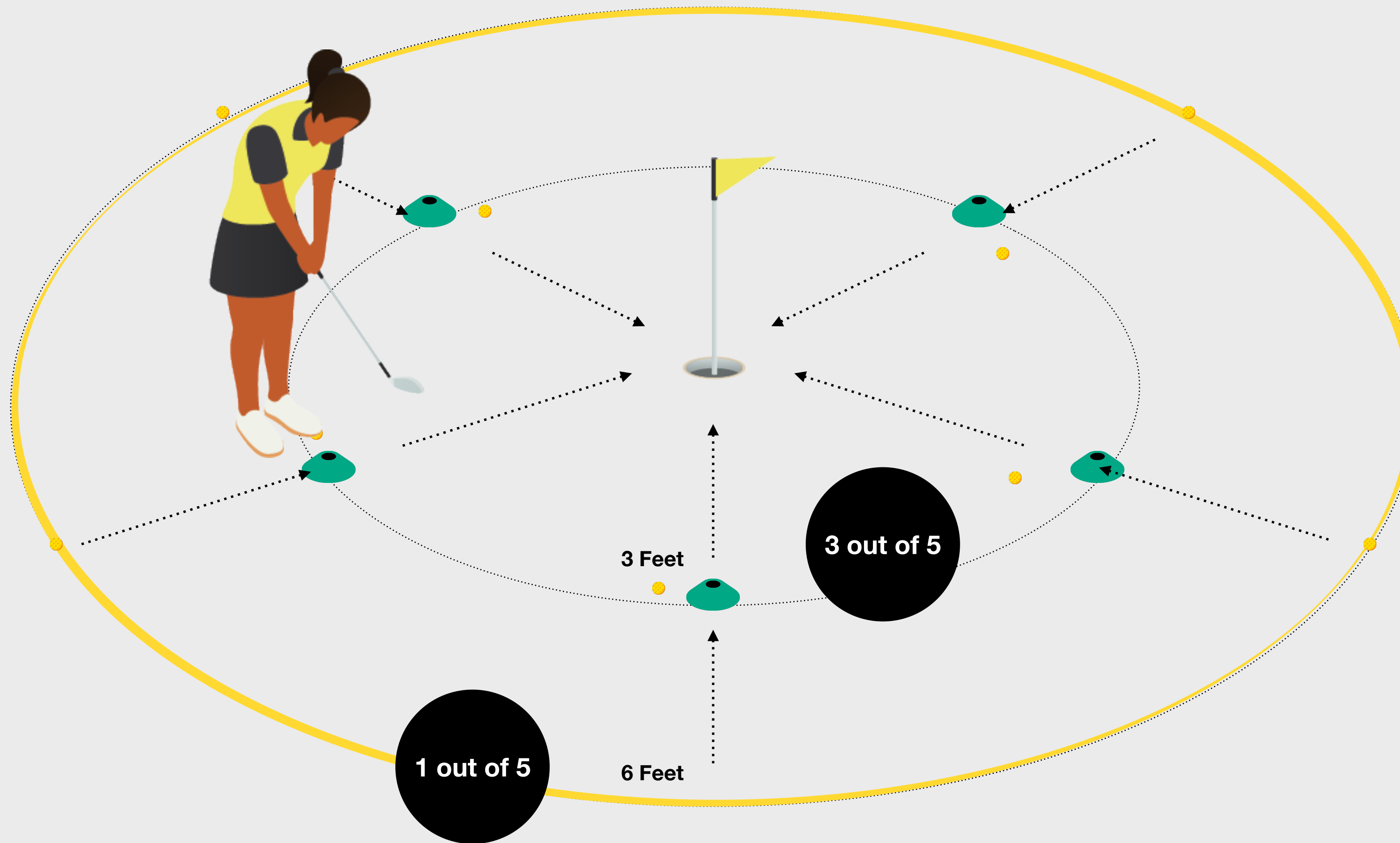
After attempting the challenge, the learner should:

- Log in to the GLF. Connect App
- If they complete the challenge, mark it as complete in the Challenge Section

Scoring



Short Putts Challenge



The Challenge

To complete the Level 3 Challenge the learner needs to hole 3 out of 5 putts from a distance of 3 feet and 1 out of 5 putts from 6 feet from 5 different positions around the hole.

Equipment you Need

The equipment you will need for this challenge:

- Colored cones to mark the five starting positions
- Golf Balls

What should the Learner do next?

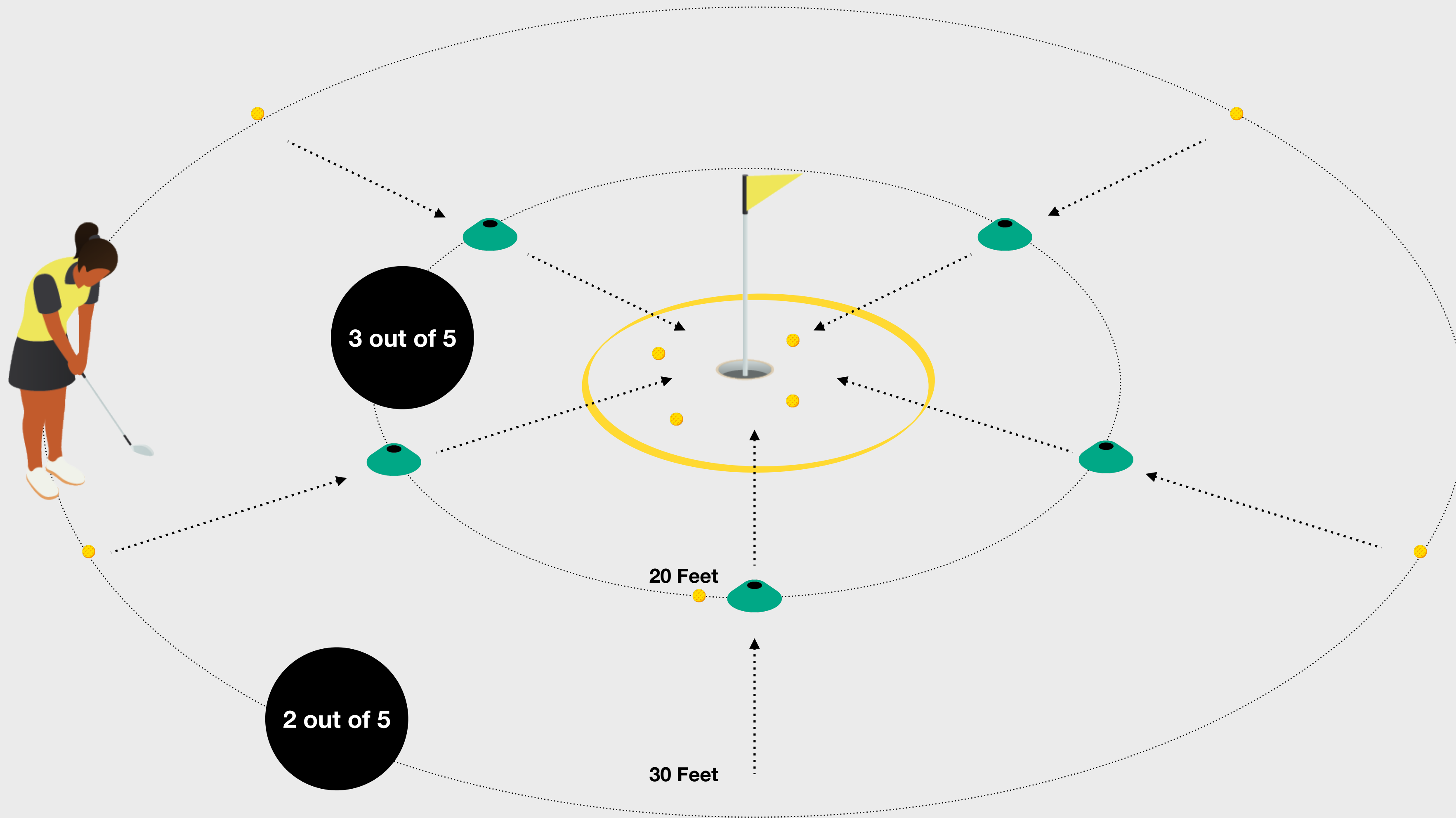
After attempting the challenge, the learner should:

- Log in to the GLF. Connect App
- If they complete the challenge, mark it as complete in the Challenge Section

Short Putts



Long Putts Challenge



The Challenge

To complete the Level 3 Challenge the learner needs to putt 3 out of 5 putts from 20 feet and 1 out of 5 from 30 feet within a 6-foot diameter circle from 5 positions around the hole.

Equipment you Need

The equipment you will need for this challenge:

- Colored cones to mark the starting positions around the hole
- 6-foot target circle from your equipment bag
- Golf Balls

What should the Learner do next?

After attempting the challenge, the learner should:

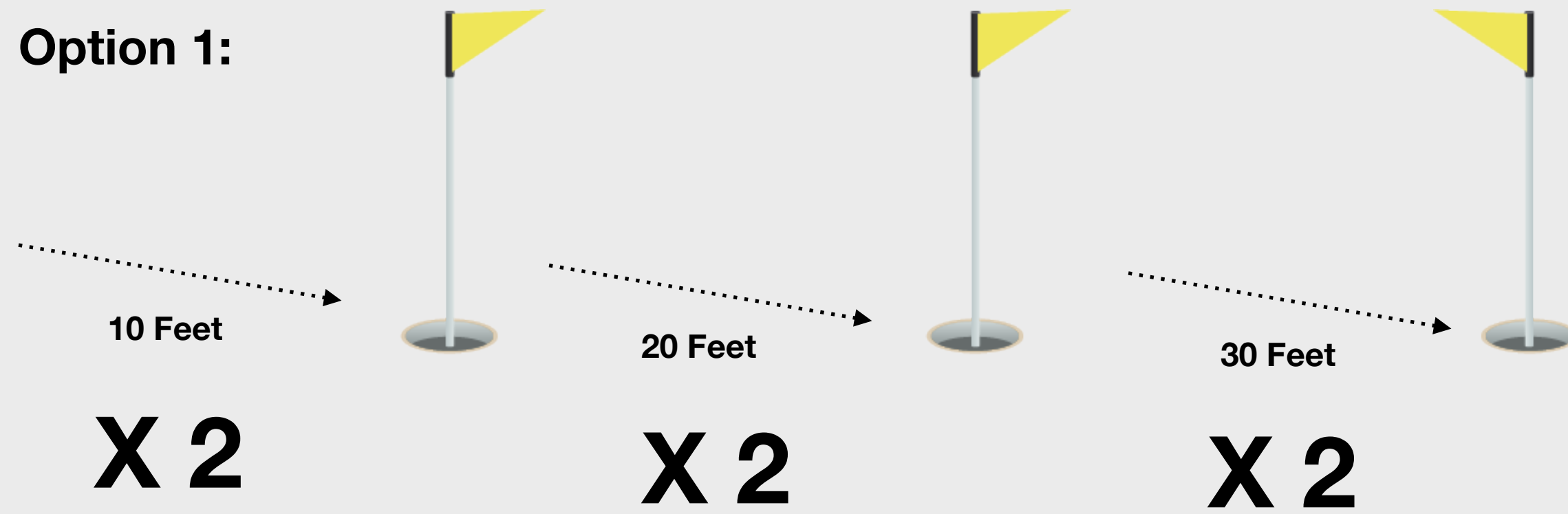
- Log in to the GLF. Connect App
- If they complete the challenge, mark it as complete in the Challenge Section

Long Putts



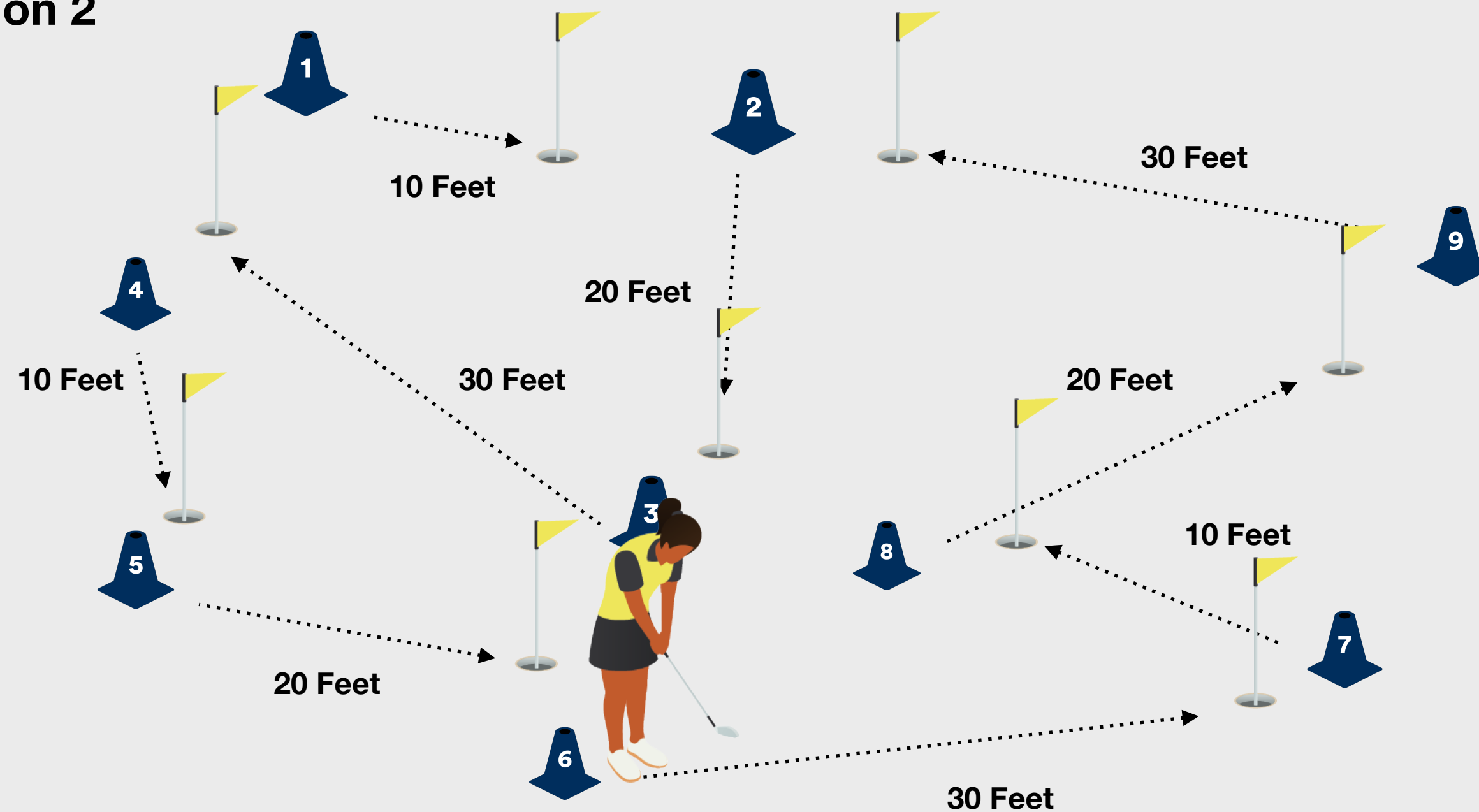
Scoring Challenge

Option 1:



24 putts or fewer

Option 2



The Challenge

To complete the Level 3 Challenge the learner needs score 24 putts or less over 9 holes. 3 putts should be attempted from a starting position 10 feet, 3 putts from 20 feet and 3 putts from 30 feet from the hole.

Equipment you Need

- The equipment you will need for this challenge:
- Numbered cones from your equipment bag to mark the starting positions.
 - Golf Balls
 - Scorecard and pencil

What should the Learner do next?

- After attempting the challenge, the learner should:
- Log in to the GLF. Connect App
 - If they complete the challenge, mark it as complete in the Challenge Section

Scoring

Three circular progress indicators: the first two are grey, and the third is black with the number 3 inside.

